

MODELS

I0

I1

I4



**CONCORDIA**<sup>™</sup>  
BEVERAGE SYSTEMS



# Integra

## CALIBRATED TO DELICIOUS

The Integra is ideal for low- to medium-volume self-service or attended operations, or as a backup for high-volume venues. With one simple, compact system you can serve espresso, lattes, cappuccinos, mochas, hot chocolate, iced drinks and more—up to 250 drink combinations—at the push of a button.

### 3 MODELS TO CHOOSE FROM:

**INTEGRA 0:** Our standard model, which makes hot and iced lattes and cappuccinos, espresso, Americano, steamed milk, and hot water. Includes two bean grinders and a built-in refrigerator that holds a standard one-gallon milk container.

**INTEGRA 1:** All the standard features, plus chocolate sauce using our flavor infusion system to make hot chocolate and mocha, both hot and iced.

**INTEGRA 4:** Adds four additional flavor options (chocolate, vanilla, caramel, and chai) to make up to 250 drink combinations.



### THE PROOF IS IN THE CUP.

The Integra brews consistently high-quality drinks like you'd get from a well-trained barista. Our patented EspressoJet™ Flavor System infuses syrups directly into the milk, and everything can be programmed to your specifications—including grind, extraction, temperature, volume, and flavor profile.



### FOCUS ON YOUR CUSTOMERS, NOT YOUR EQUIPMENT.

The simple touchpad makes it easy for anyone to get barista-quality results the first time in both attended and self-serve locations. With this self-service capability, training becomes a non-issue. Maintenance is simple and efficient as well, thanks to an automated cleaning process that takes only 10 minutes a day.



### FEWER PROBLEMS. FASTER SOLUTIONS.

We minimize issues with a simple cleaning process that reduces human error and keeps the machine running smoothly. Should anything go wrong with your machine, our tech support line and local service agents will get you up and running within 24 hours in most cases, and many issues can be resolved right over the phone.

*You've got options.*



**STEAM WAND** (Optional)

For locations with an attendant, the optional steam wand adds a personalized touch and the ability to provide additional customization for customer requests.



**VENDING** (Optional)

Our transaction system can accommodate both credit and debit cards with real-time authorization.



**PUT YOUR BRAND IN THE SPOTLIGHT**

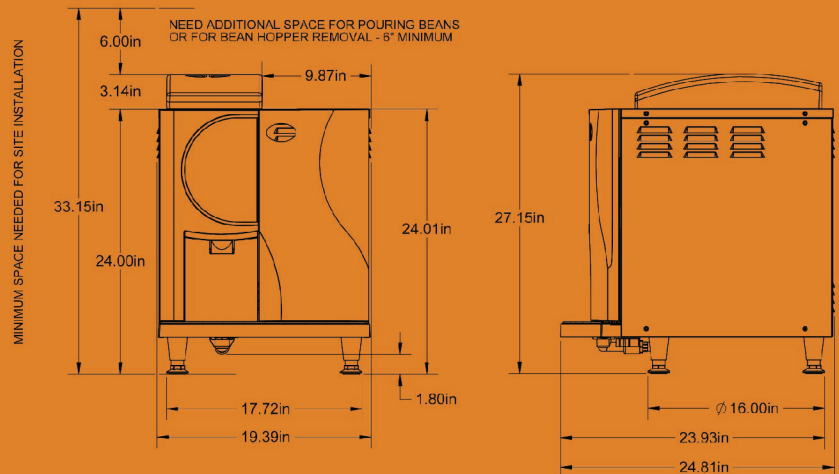
You've invested a lot in building trust in your brand. Put that trust to work with a customized Concordia machine that represents you. There's an infinite number of ways we can create a customized brand look for your machine.

**SPECIFICATIONS**

- Dimensions 19.4in W x 24.8in D x 27.1in H  
493mm W x 630mm D x 688mm H
- Weight 200lbs net/91kg net
- Electric 200-240VAC, 30Amp  
dedicated circuit
- Water Min 30psi, Max 100psi,  
25gal per/hr flow
- Drain 3/4in indirect drain

**FRONT VIEW**

**LEFT SIDE VIEW**



Note: Please refer to the installation checklist for more detailed information on installation requirements.

**PRECISION ENGINEERING MEETS PURE COFFEE OBSESSION**

Here in the Northwest, we're known for a couple of things: innovative technology and an enthusiasm for coffee that borders on obsession. Try one of our machines. You'll see our passion for coffee and innovation in their reliability and simplicity, and of course, the great taste of a Concordia-brewed beverage.

1 800 995 9019 [concordiacoffee.com](http://concordiacoffee.com)

